

# JETLINE® K

## DUST COLLECTOR FOR FINE DUST

Protecting people and their environment against the dispersion of fine and dangerous particles.



- **The JETLINE® K** is a dust collector with automatic compressed air cleaning. It operates constantly, providing maximum filtration, particularly in the case of fine dust.
- **Type of dust treated:** food (chocolate, flour, milk powder), metal, polymer powder, polyurethane brass, zirconium silicate, aluminum oxide, fiberglass, plaster, carbon, plastic, wood, silica, polyethylene, concrete, composite, pigment and many others.

### TRIOPTICLEAN® system



1 A simple, clean system for removing cartridges in a plastic bag



2 A downward flow between the cartridges facilitates settling of dust in the hopper



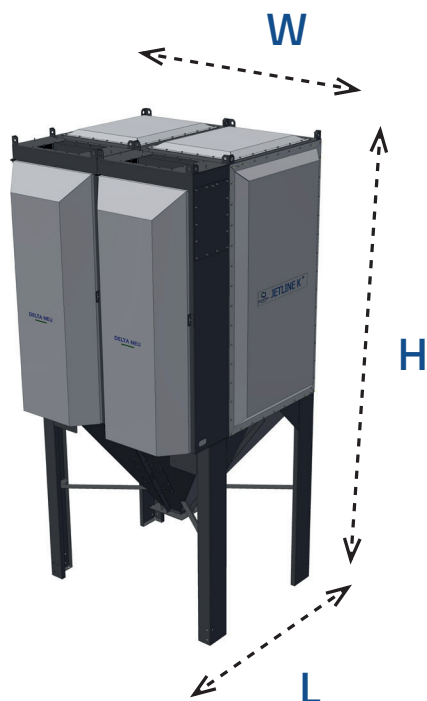
3 Optimal cleaning to eliminate all dust accumulation on top surface

### APPLICATIONS

- Filtration of aluminum dust during finishing operations
- Filtration of steel dust
- Dust removal on laboratory work stations

- Collection of dust released by tools
- Dust extraction on sorting station
- Dedusting from laser cutting, plasma or welding processes.





## RANGE

A standard range of filter areas from 80 to 480 m<sup>2</sup> provides solutions for numerous applications.

Model	Area m <sup>2</sup>	L (mm)	W (mm)	H (mm)	Weight (kg)
80	80	2 060	1 170	3 020	730
120	120	2 060	1 170	3 520	800
160	160	2 060	1 170	4 020	1 050
240	240	2 060	2 170	3 520	1 440
320	320	2 060	2 170	4 020	1 820
360	360	2 060	3 170	3 520	2 250
480	480	2 060	3 170	4 020	2 650

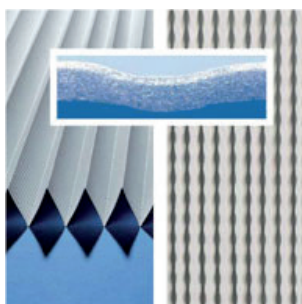
## OPERATING PRINCIPLE

- + Round horizontally-mounted cartridges ensure optimum filter efficiency
- + The clean air is then directed out of the dust collector
- + Cleaning is by a very short burst of compressed air inside the filter cartridge
- + This cleaning system ensures there is a stable pressure drop across the filter elements, with optimum consumption of compressed air

## CHARACTERISTICS

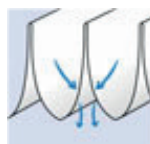
- + Choice of media to withstand temperatures up to 80° C
- + Reduced pressure drop
- + Pre-assembled and wired in our factory
- + Choice of clean air outlet positions: top or side
- + Modular construction for unlimited range of sizes
- + Optional "Bag-in / Bag-out" arrangement for toxic or hazardous applications
- + Easy access for clean cartridge replacement – no special tools required
- + ATEX version with venting on top

Filter medium efficiency of more than 99.9 % on dust between 0.2 and 2 µm in accordance with EN 60 335-2-69 standard.

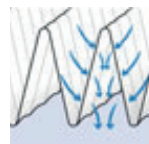


## EFFICIENCY

The NEU cartridge is manufactured from non-woven polyester with a mattress of heat-fused fibres across the whole surface. The perfectly even structure guarantees optimal filtration.



Standard filter media



Filter media with wave form

## EASY MAINTENANCE

No tools are required to remove the cartridges. The cartridge removal holder is supplied with the dust collector. As an option, we can supply our "Bag-in/Bag-out" system.

## SAFETY

The JETLINE® K can be fitted with devices to reduce the risk of explosion: antistatic filter cartridges, earthing of metal parts to reduce the effects of electrostatic charge, explosion venting on the top.