

CE-MOB 5,5 kW

CE is a high quality plug and play suction unit, with good filter technology

Description

CE is a high quality plug and play suction unit, with good filter technology.

The suction unit is preferably used for:

Cleaning in industry and construction, central vacuum cleaning, extraction of dust and smoke, weld fume extraction.

Suitable for: wood, metal, plastic etc.

Extraction takes place in two steps

Coarse separation by the cyclone effect and fine separation in pleated tapered cartridge filter.

Effective automatic filter cleaning by air pulse ensures good suction capacity even at high dust loads. The control cabinet, with starting device, has built-in functions for: start/stop, filter cleaning and terminal strip connection for external start. The unit is equipped with a vacuum valve to ensure cool air to the side channel blower.



CE-3/CE-5 3/kW/5kW

CE is a high quality plug and play suction unit, with good filter technology

Description

Coarse separation by the cyclone effect and fine separation in pleated tapered cartridge filter.

The suction unit is preferably used for:

Cleaning in industry and construction, central vacuum cleaning, extraction of dust and smoke, weld fume extraction.

Suitable for: wood, metal, plastic etc.

Extraction takes place in two steps

Coarse separation by the cyclone effect and fine separation in pleated tapered cartridge filter.

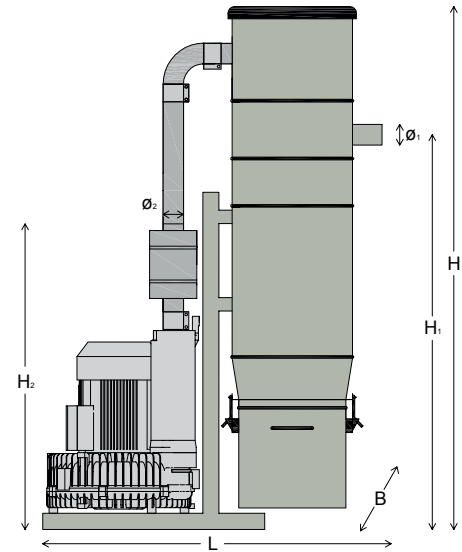
Effective automatic filter cleaning by air pulse ensures good suction capacity even at high dust loads. The control cabinet, with starting device, has built-in functions for: start/stop, filter cleaning and terminal strip connection for external start. The unit is equipped with a vacuum valve to ensure cool air to the side channel blower.

Dimensions

| Model | CE-MOB | CE-3 | CE-5 |
|---------|--------|------|------|
| L (mm) | 1150 | 1150 | 1150 |
| B (mm) | 600 | 600 | 600 |
| H (mm) | 1800 | 1700 | 1700 |
| H1 (mm) | 1350 | 1250 | 1250 |
| H2 (mm) | 1110 | 910 | 1010 |
| Ø1 (mm) | 76 | 76 | 76 |
| Ø2 (mm) | 80 | 80 | 80 |

Technical data

| Model | MOB | CE-3 | CE-5 |
|----------------------------------|--------------------------------|-------------|-------------|
| Motor capacity (kW) | 5,5 | 3,0 | 5,5 |
| Max flow open inlet appr. (m³/h) | 550 | 312 | 550 |
| Max negative pressure (kPa) | -26 | -25 | -26 |
| Filter area (m²) | 7.5 | 7.5 | 7.5 |
| Filter material | Pressed polyester | | |
| Filter class BIA | USGC (99,9% filter efficiency) | | |
| Sound level silencer dB(A) | 72 | 68 | 72 |
| Height (mm) | 1800 | 1700 | 1700 |
| Width (mm) | 600 | 600 | 600 |
| Length (mm) | 1150 | 1150 | 1150 |
| Req. El: 3x 380V50Hz w. 0 (A) | 20 | 16 | 20 |
| Ø in- and outlet (mm) | 76/80 | 76/80 | 76/80 |
| Air pressure | 6 l/s 5 bar | 6 l/s 5 bar | 6 l/s 5 bar |
| Connect. Ø air pressure (mm) | 6 | 6 | 6 |
| Weight (kg) | 200 | 160 | 180 |
| Container (L) | 40 | 40 | 40 |



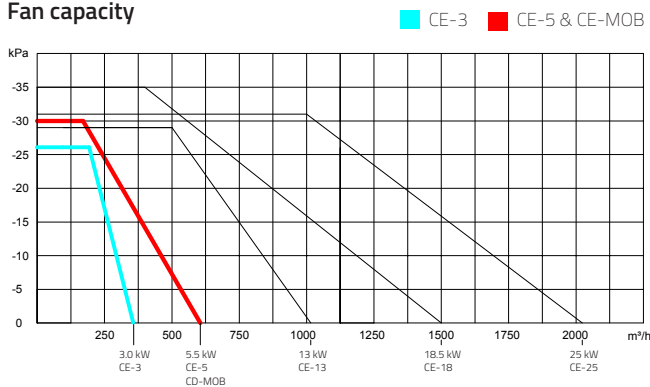
As an option, the unit can be equipped with:

- Frequency control
- Sound enclosure
- HEPA filters on the exhaust side

Application:

- Industrial vacuuming
- Welding tools/Hand tools
- Grinding dust from construction/ industrial environment

Fan capacity



| | Connect. Ø (mm) | Airflow (m³/h) |
|----------------|-----------------|----------------|
| Welding torch | 32-38 | 100 |
| Hand grinding | 25 | 70 |
| Hand grinding | 32 | 120 |
| Hand grinding | 38 | 165 |
| Floor cleaning | 32 | 120 |
| Floor cleaning | 38 | 165 |
| Floor cleaning | 50 | 280 |