

# HIGH PRESSURE EXTRACTION



DEDICATED TO CLEAN AIR

### 1. Applicability

Applicability: These sales, delivery and payment terms (hereinafter "the Terms") apply to all offers, orders and deliveries supplied by JKF Industri A/S, CVR no. 17085204 (hereinafter "JKF") to any business customer (hereinafter "the Buyer") (hereinafter collectively referred to as "the Parties"), unless expressly agreed otherwise.

JKF cannot be bound by terms applied by the Buyer, including purchasing terms, even if JKF has not objected to such terms.

### 2. Information in sales materials and price lists

Details given in JKF's brochures, advertising, product descriptions, price lists etc. on capacity, resistance to wear, performance, technical data, dimensions, weight or the like are not binding on JKF. We cannot be held responsible for printing errors and model changes.

### 3. Quotes

All quotes are given subject to the goods being unsold. If JKF provides a quote that does not stipulate a specific time for acceptance, the quote will expire automatically if the Buyer's confirmation is not received by JKF within 30 days of the date of the quote.

### 4. Prices

All prices are in DKK and ex-VAT, customs and other duties, packaging, freight costs and insurance and all other costs to be borne by the customer.

Prices are stated in EUR exclusive of the aforementioned costs for Buyers located in countries, which are members of the European Economic and Monetary Union (the Euro).

Unless otherwise stated on JKF's quote or order confirmation, JKF reserves the right to revise prices – even after issuing and order confirmation – in the event of increased production costs and the like.

All orders worth less than DKK 1500 (excluding the above costs) are subject to an administration fee of DKK 225.

### 5. Payment terms

JKF is entitled to issue an invoice when delivery is complete. Payment terms are current month + 20 days net calculated from the date of invoice unless otherwise agreed in writing.

JKF obtains credit insurance for all customer receivables. If the Buyer's credit fails to be approved, JKF is entitled to demand prepayment or alternative guarantee.

If payment is made after the due date and the delay is no fault of JKF, JKF is entitled to charge interest on the sum outstanding as from the due date, at a rate equivalent to 2% per month or part thereof.

The Buyer is not entitled to offset any counter-claims against JKF unless expressly agreed in writing by JKF, and does not have the right to withhold any of the purchase sums by reason of counter-claims of any kind.

### 6. Right of ownership For Buyers in the United Kingdom:

The goods shall remain the property (i.e. title) of JKF until: (i) the full price for them is paid; and (ii) all sums for any other goods or services then properly due and payable from the Buyer are paid to JKF. JKF may at any time attribute any money received by it from the Buyer in any order as JKF may decide. Until such payment, the Buyer shall hold the goods on a fiduciary basis as the bailee or depository of JKF, and shall not dispose of them. However, subject to JKF's prior written consent, the Buyer may on the Buyer's own account sell the goods to any customers but shall not do so after any step is taken or made for any composition or arrangement with creditors generally, liquidation, winding-up, dissolution, administration, receivership or bankruptcy of the Buyer.

If any such step occurs, or JKF reasonably expects that such a step is soon to occur, or any payment due to JKF from the Buyer becomes overdue, JKF may by written notice terminate the Buyer's right (if any) to sell the goods and JKF may then recover such goods and for that purpose enter any premises, subject to the Buyer's continued liability to pay the price for the goods. If the item has been sold with a view to later being built into or joined to other objects, the item sold is not covered by the right of retention once such installation or joining has taken place.

JKF reserves the right within the limitations of mandatory laws to retention of title to the item sold until payment for the entire purchase sum, plus any costs incurred, has been made to JKF. If the item has been sold with a view to later being built into or joined to other objects, the item sold is not covered by the right of retention once such installation or joining has taken place.

### For Buyers outside the United Kingdom:

JKF reserves the right within the limitations of mandatory laws to retention of title to the item sold until payment for

the entire purchase sum, plus any costs incurred, has been made to JKF. If the item has been sold with a view to later being built into or joined to other objects, the item sold is not covered by the right of retention once such installation or joining has taken place.

### 7. Delivery

The delivery clause agreed between the Parties is to be interpreted in accordance with the INCOTERMS current at the time of signing the agreement.

The delivery date is set by JKF according to best judgement, and if it cannot be observed, the Buyer will be informed accordingly, with when, as far as possible, delivery can be expected to take place. Any delay does not give the Buyer the right to cancel the sale and/or claim any form of financial compensation from JKF.

### 8. Packaging

All orders are subject to a packaging fee of 2.2 % of the order value.

Packaging may only be returned by prior written agreement. Return of packaging is at the Buyer's own expense and risk. The Buyer's packaging will be credited when received and upon final approval by JKF that it is in much the same condition as when delivered to the Buyer.

### 9. Product information and confidentiality

All illustrations, technical drawings and brochures issued by JKF before or after the contract have been entered into remain the property of JKF and must be returned to JKF on request. Such materials must be treated with strict confidentiality and cannot be used, copied or passed on without written agreement, or abused in any other manner.

The Buyer undertakes to generally observe confidentiality concerning all aspects of JKF known to the Buyer as a result of the information the Parties have exchanged in the course of their dealings.

Breach of this provision by the Buyer shall incur a fine payable to JKF of DKK 75,000. The fine shall be payable for each breach of the provision, and if the breach consists of continuation of a previous breach, the fine shall be payable for each 14 day period of continuation or part thereof. Payment of a fine shall not relieve the Buyer of the above obligations, nor prevent or constrain JKF from claiming compensation for any loss JKF may have incurred arising from the breach, in that payment of the fine by the Buyer shall not be included in calculation of JKF's loss. In addition to the above, JKF is entitled to take out an injunction.

### 10. Liability for defects and deficiencies and warranty claims

Upon delivery, the Buyer shall immediately perform a thorough examination of the goods, including quantity and specifications.

Should the Buyer wish to claim for any defects or deficiencies, including with regard to the quantity or specifications delivered, which the Buyer has or should have discovered in the course of thorough examination of the goods, a written claim shall be submitted to JKF immediately after delivery. JKF is entitled to reject any claims received after the expiry of the deadline stated above.

JKF warrants performing redelivery/remedy of goods which are defective or deficient due to material or manufacturing error for goods which the Buyer has not nor should have discovered by thorough examination for a period of 12 consecutive months after delivery.

However, the Buyer shall submit a claim to JKF immediately if discovering such defects or deficiencies.

Defective or deficient goods will either be remedied or replaced within a reasonable period of time at JKF's discretion. Modification/interference with the goods without JKF's written consent releases JKF from any obligation.

Remedy/redelivery by JKF of elements of a delivery shall be on the same terms and conditions as for the original delivery, including those stated in item 7. JKF's obligation to remedy or redeliver does not, however, apply to any part of an order more than 1 year after delivery to the Buyer.

Once liability for the order has been transferred to the Buyer, JKF bears no responsibility for any defects over and above the obligations specified in this provision.

### 11. Force majeure

JKF cannot be held liable for non-fulfilment of its undertakings, nor for loss incurred by the Buyer due to unusual circumstances that prevent, inhibit or add extra cost to fulfilment of the contract, and that are beyond JKF's control, including industrial disputes, strikes, lockout, fire, war, mobilisation, unforeseen military call-up, acts of sabotage, requisitioning, confiscation, currency restrictions, import ban, export ban, riots, unrest, extreme weather conditions, fuel shortage and major increases in prices or taxes/duties, general scarcity of goods, restrictions in power supplies

and defects in deliveries from sub-suppliers or delays with such deliveries as a result of any of the aforementioned circumstances.

It should be specifically noted that the above is not an exhaustive list of examples, and there may be other examples that come under limitation of liability.

If delivery is temporarily delayed by one or more of the aforementioned circumstances, the delivery date will be correspondingly postponed. If delivery is prevented for more than 12 weeks, JKF is entitled to cancel the relevant contract without liability.

### 12. Returns

Items sold can only be returned by prior written agreement, and upon obtaining a returned goods order number. Returns will be at the Buyer's expense and risk and should include JKF's invoice number and the date of the original delivery.

Returned goods will only be credited by prior agreement and subject to approval of the goods returned. Custom-made goods will not be credited. If JKF is charged for shipping costs etc., JKF is also entitled to demand these be refunded by the Buyer and to offset these against any claims by the Buyer against JKF.

### 13. Product liability

JKF's product liability is subject to the rules of Danish law on product liability with the limitation specified in item 12 (limitation of indirect loss and of cover in accordance with insurance cover).

**JKF cannot be held liable for operating loss, loss of profit, loss of useful value, loss of business opportunities, lost savings or other indirect loss or consequential damages in connection with product liability.** To the extent that product liability may be imposed on JKF with regard to third parties, the Buyer is obliged to compensate JKF to the same extent that JKF's liability is limited as per the above. These limitations to JKF's liability do not apply if JKF is guilty of gross negligence. If a third party puts forward a claim against one of the Parties for compensation with reference to this point, that party must immediately inform the other party. The Buyer can be sued at the same court that handles any claims for compensation against JKF, in consequence of damage alleged to have been caused by one of JKF's deliveries. JKF's liability for product damage shall always be limited to the remaining insurance cover.

### 14. Limitation of liability

**Notwithstanding the above, JKF cannot be held liable for any indirect loss such as operating loss, loss of profit, loss of useful value, loss of business opportunities, lost savings, consequential loss, loss of time etc., which a defect or deficiency could cause the Buyer or a third party, including indirect loss etc., arising as a result of delayed delivery or defects/deficiencies in the goods sold.**

### 15. Invalidity

Should one or more of the provisions in these terms be deemed invalid, illegal or non-applicable, the validity, legality or applicability of all other provisions shall not be affected or lessened as a result thereof.

### 16. Jurisdiction and court of venue

All disputes between the parties shall be settled under Danish law including the Danish Sale of Goods Act, but with the exception of Danish jurisdiction rules. The International Sale of Goods Act (CISG) shall neither be wholly nor partially applied.

Any dispute regulated by the terms shall be resolved by arbitration at the Danish Institute of Arbitration, according to the institute's rules, which apply when an arbitration case is brought with the amendments stated below.

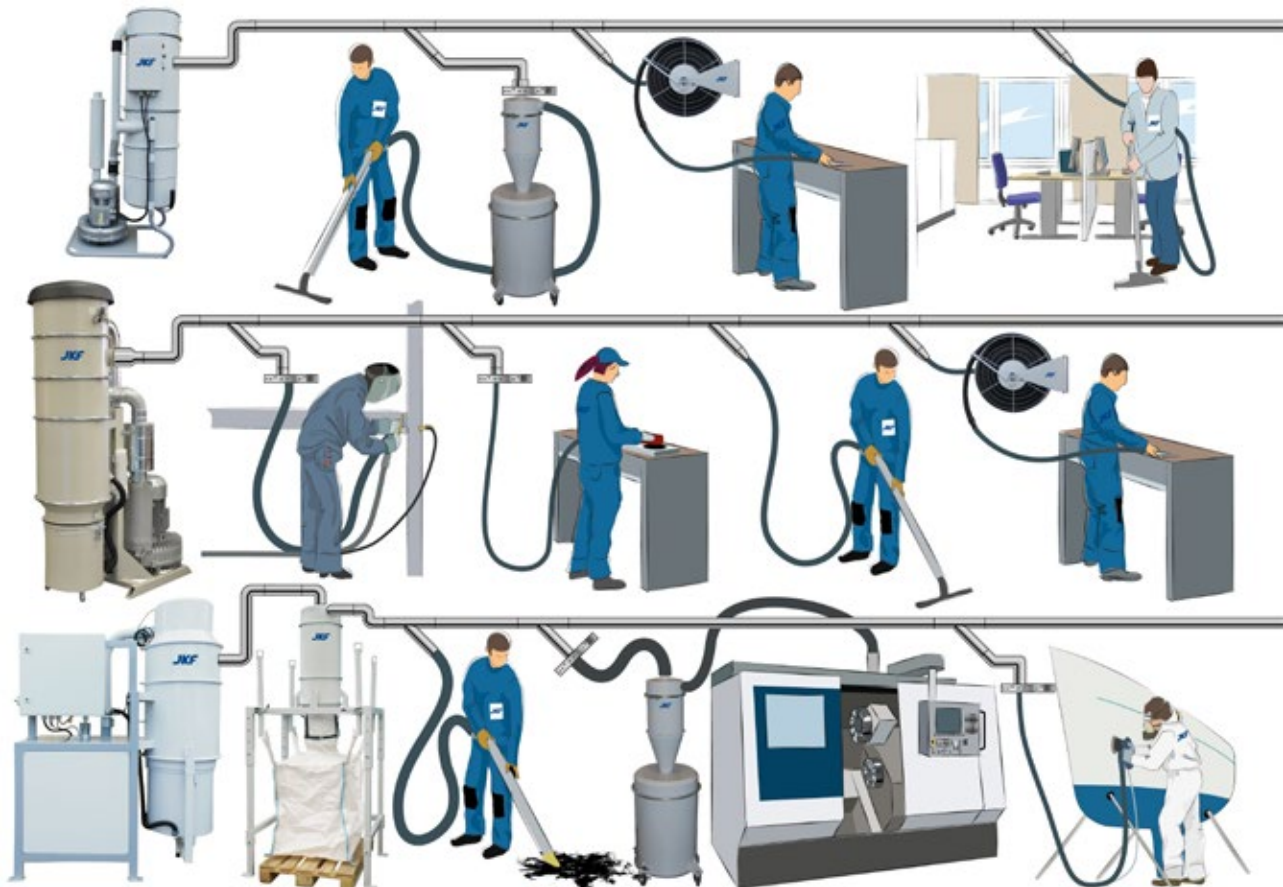
However, the Parties agree that the arbitration tribunal shall consist of 3 members, of whom each party will appoint one member, and the Danish Institute of Arbitration will appoint the tribunal chairman. If a party fails to appoint a member within 14 days of being requested to do so by the Danish Institute of Arbitration, the institute will appoint a member on behalf of that party.

The tribunal shall sit in Hadsund.

The original version of this document is in Danish. In the event of discrepancies between the Danish and English versions, the Danish version will take preference.

# Table of contents

High Vacuum Units	
OM-MOB Mobile suction unit .....	Page 04
OM-3/OM-4 Stationary suction unit .....	Page 04
CE MOB 5,5 kW Plug and play suction unit.....	Page 06
CE-3/CE-5 3/kW/5kW Plug and play suction unit.....	Page 06
CE-13 13 kW Plug and play suction unit .....	Page 08
CE-18 13 kW Plug and play suction unit .....	Page 10
Dust Collector SDCH-L air filter .....	Page 12
Dust Collector SDCC-L air filter .....	Page 14
Side channel blower HB .....	Page 16
Suction unit SHPS-L.....	Page 18
Steel duct .....	Page 20
Bend.....	Page 21
Branch piece 45°.....	Page 22
Trouser piece 45°.....	Page 23
Taper .....	Page 23
End cover.....	Page 24
Duct coupling .....	Page 24
Strong Pipe Coupling, galvanized.....	Page 24
Connector for rubber hose.....	Page 24
JKF Hose clip.....	Page 24
Flap valve.....	Page 25
Flap valve.....	Page 25
Flap valve with switch .....	Page 25
Flap valve.....	Page 25
Connector for hose coupling.....	Page 25
Hose coupling.....	Page 26
Micro switch .....	Page 26
Pneumatic sliding damper.....	Page 26
Manuel tight sliding damper .....	Page 27
Clamp.....	Page 27
Duct support.....	Page 27
Reinforced rubber hose.....	Page 27
Hose reel .....	Page 28
Rubber hose 754 .....	Page 28
Roof support.....	Page 28
Wall support.....	Page 28
PE Hose .....	Page 28
PUR Hose.....	Page 28
Cleaning system 38 mm.....	Page 29
Cleaning system 50 mm.....	Page 30
Cleaning system 63 mm.....	Page 31



# OM-MOB

## Mobile suction unit

### Description

The central vacuum cleaner Optimum is a mid-range mobile machine with a large capacity. This model is available with a 3 or 4 kW vacuum pump, which can be set for direct start or equipped with a frequency converter to improve its thermal efficiency and overall effectiveness. The pump is designed and made in Europe, with a robust construction to ensure its long and problem-free life. The standard pump has a separate vacuum relief valve and a thermal protection. The mounted muffler keeps the noise levels as low as possible.



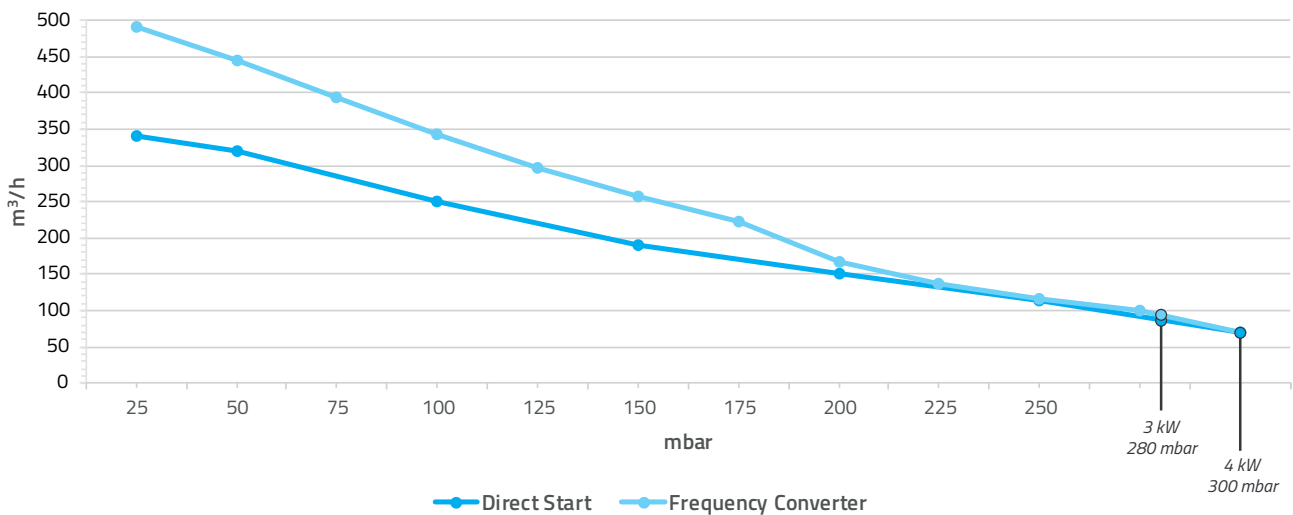
# OM-3/OM-4

## Stationary suction unit

### Description

The central vacuum cleaner Optimum is a mid-range machine with a large capacity. This model is available with a 3 or 4 kW vacuum pump, which can be set for direct start or equipped with a frequency converter to improve its thermal efficiency and overall effectiveness. The pump is designed and made in Europe, with a robust construction to ensure its long and problem-free life. The standard pump has a separate vacuum relief valve and a thermal protection. The mounted muffler keeps the noise levels as low as possible.

	OM-3	MOB-3	OM-4	MOB-4
Size (cm)	52x78x162	52x78x162	52x78x162	52x78x162
Weight (kg)	72	74	78	80
Power Supply	400 V, 3 kW	400 V, 3 kW	400 V, 4 kW	400 V, 4 kW
Power consumption (amp)	7	7	9	9
Fuse, delayed	10	10	10	10
Starter, type	Direct	Freq.inverter	Direct	Freq.inverter
Motor protection	Clixon	Clixon	Clixon	Clixon
Airflow (m <sup>3</sup> /h)	330	420	330	420
Vacuum (m bar)	280	280	300	300
Inlet diameter (mm)	63	63	63	63
Outlet diameter (mm)	80	80	80	80
Filter, size (m <sup>2</sup> )	4	4	4	4
Material	Polyester	Polyester	Polyester	Polyester
Type	Conical	Conical	Conical	Conical
Filtration	BIA Class M	BIA Class M	BIA Class M	BIA Class M
Filter cleaning, type	Manual	Manual	Manual	Manual
Dust bucket, volume (l)	40	40	40	40
Dust bag, capacity (l)	50	50	50	50
Dust bag full, indicator	No	No	No	No
Compressor	No	No	No	No
Silencer	Yes	Yes	Yes	Yes
No simultaneous users	1	1-2	1	2-3



## CE-MOB 5,5 kW

**CE is a high quality plug and play suction unit, with good filter technology**

### Description

CE is a high quality plug and play suction unit, with good filter technology.

### The suction unit is preferably used for:

Cleaning in industry and construction, central vacuum cleaning, extraction of dust and smoke, weld fume extraction.

**Suitable for:** wood, metal, plastic etc.

### Extraction takes place in two steps

Coarse separation by the cyclone effect and fine separation in pleated tapered cartridge filter.

Effective automatic filter cleaning by air pulse ensures good suction capacity even at high dust loads. The control cabinet, with starting device, has built-in functions for: start/stop, filter cleaning and terminal strip connection for external start. The unit is equipped with a vacuum valve to ensure cool air to the side channel blower.



## CE-3/CE-5 3/kW/5kW

**CE is a high quality plug and play suction unit, with good filter technology**

### Description

Coarse separation by the cyclone effect and fine separation in pleated tapered cartridge filter.

### The suction unit is preferably used for:

Cleaning in industry and construction, central vacuum cleaning, extraction of dust and smoke, weld fume extraction.

**Suitable for:** wood, metal, plastic etc.

### Extraction takes place in two steps

Coarse separation by the cyclone effect and fine separation in pleated tapered cartridge filter.

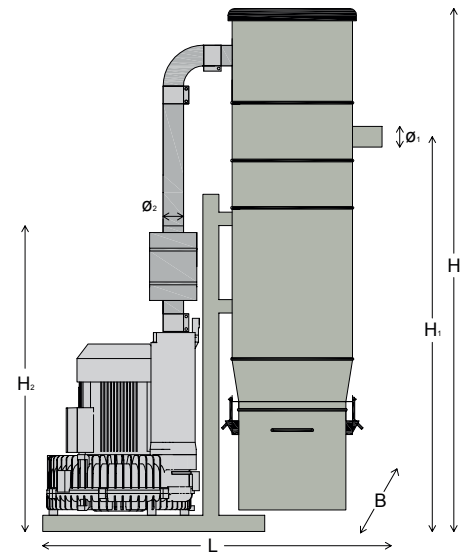
Effective automatic filter cleaning by air pulse ensures good suction capacity even at high dust loads. The control cabinet, with starting device, has built-in functions for: start/stop, filter cleaning and terminal strip connection for external start. The unit is equipped with a vacuum valve to ensure cool air to the side channel blower.

**Dimensions**

Model	CE-MOB	CE-3	CE-5
L (mm)	1150	1150	1150
B (mm)	600	600	600
H (mm)	1800	1700	1700
H1 (mm)	1350	1250	1250
H2 (mm)	1110	910	1010
Ø1 (mm)	76	76	76
Ø2 (mm)	80	80	80

**Technical data**

Model	MOB	CE-3	CE-5
Motor capacity (kW)	5,5	3,0	5,5
Max flow open inlet appr. (m³/h)	550	312	550
Max negative pressure (kPa)	-26	-25	-26
Filter area (m²)	7.5	7.5	7.5
Filter material	Pressed polyester		
Filter class BIA	USGC (99,9% filter efficiency)		
Sound level silencer dB(A)	72	68	72
Height (mm)	1800	1700	1700
Width (mm)	600	600	600
Length (mm)	1150	1150	1150
Req. El: 3x 380V50Hz w. 0 (A)	20	16	20
Ø in- and outlet (mm)	76/80	76/80	76/80
Air pressure	6 l/s 5 bar	6 l/s 5 bar	6 l/s 5 bar
Connect. Ø air pressure (mm)	6	6	6
Weight (kg)	200	160	180
Container (L)	40	40	40



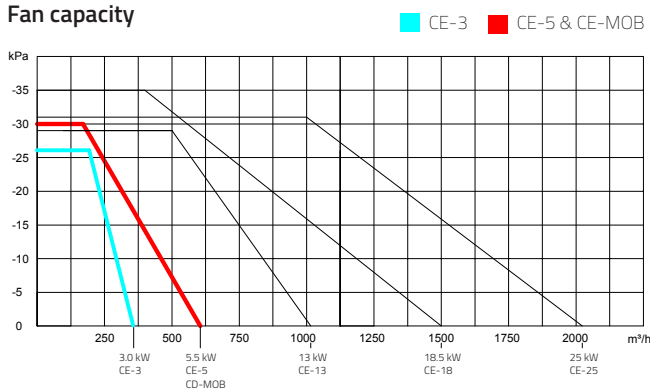
**As an option, the unit can be equipped with:**

- Frequency control
- Sound enclosure
- HEPA filters on the exhaust side

**Application:**

- Industrial vacuuming
- Welding tools/Hand tools
- Grinding dust from construction/ industrial environment

**Fan capacity**



	Connect. Ø (mm)	Airflow (m³/h)
Welding torch	32-38	100
Hand grinding	25	70
Hand grinding	32	120
Hand grinding	38	165
Floor cleaning	32	120
Floor cleaning	38	165
Floor cleaning	50	280

# CE-13, 13 kW

**CE is a high quality plug and play suction unit, with good filter technology.**

## Description

CE is a high quality plug and play suction unit, with good filter technology.

### The suction unit is preferably used for:

Cleaning in industry and construction, central vacuum cleaning, extraction of dust and smoke, weld fume extraction.

**Suitable for:** wood, metal, plastic etc.

### Extraction takes place in two steps

Coarse separation by the cyclone effect and fine separation in pleated tapered cartridge filter.

Effective automatic filter cleaning by air pulse ensures good suction capacity even at high dust loads. The control cabinet, with starting device, has built-in functions for: start/stop, filter cleaning and terminal strip connection for external start. The unit is equipped with a vacuum valve to ensure cool air to the side channel blower.



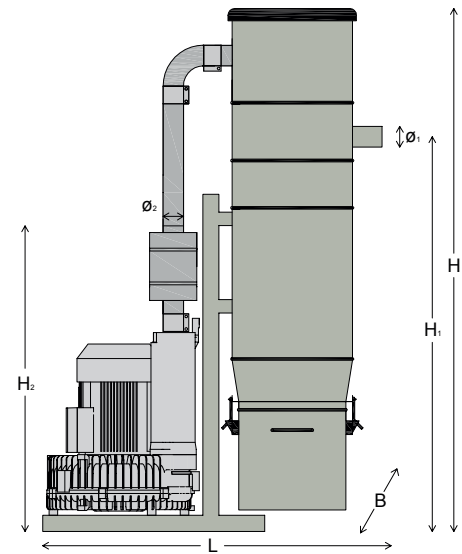


**Dimensions**

Model	CE-13
L (mm)	1200
B (mm)	600
H (mm)	1930
H1 (mm)	1485
H2 (mm)	1110
Ø1 (mm)	102
Ø2 (mm)	100

**Technical data**

Model	CE-13
Motor capacity (kW)	13
Max flow open inlet appr. (m <sup>3</sup> /h)	1140
Max negative pressure (kPa)	-30
Filter area (m <sup>2</sup> )	10
Filter material	Pressed polyester
Filter class BIA	USGC (99,9% filter efficiency)
Sound level silencer dB(A)	74
Height (mm)	1930
Width (mm)	600
Length (mm)	1200
Req. El: 3x 380V50Hz w. 0 (A)	50
Ø in- and outlet (mm)	102/100
Air pressure	6 l/s 5 bar
Connect. Ø air pressure (mm)	6
Weight (kg)	265
Container (L)	40



**As an option, the unit can be equipped with:**

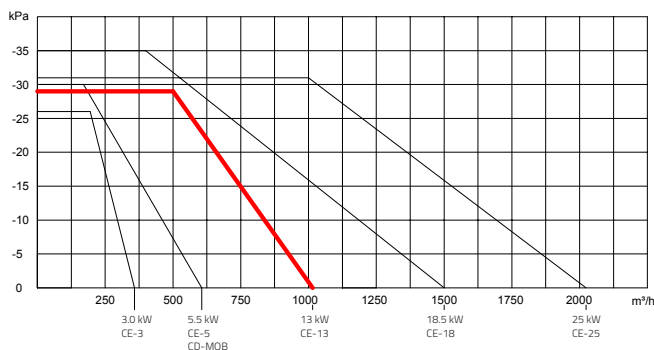
- Frequency control
- Sound enclosure
- HEPA filters on the exhaust side

**Application:**

- Industrial vacuuming
- Welding tools/Hand tools
- Grinding dust from construction/ industrial environment

**Fan capacity**

■ CE-13



	Connect. Ø (mm)	Airflow (m <sup>3</sup> /h)
Welding torch	32-38	100
Hand grinding	25	70
Hand grinding	32	120
Hand grinding	38	165
Floor cleaning	32	120
Floor cleaning	38	165
Floor cleaning	50	280

# CE-18

**CE is a high quality plug and play suction unit, with good filter technology.**

## Description

CE is a high quality plug and play suction unit, with good filter technology.

### The suction unit is preferably used for:

Cleaning in industry and construction, central vacuum cleaning, extraction of dust and smoke, weld fume extraction.

**Suitable for:** wood, metal, plastic etc.

### Extraction takes place in two steps

Coarse separation by the cyclone effect and fine separation in pleated tapered cartridge filter.

Effective automatic filter cleaning by air pulse ensures good suction capacity even at high dust loads. The control cabinet, with starting device, has built-in functions for: start/stop, filter cleaning and terminal strip connection for external start. The unit is equipped with a vacuum valve to ensure cool air to the side channel blower.

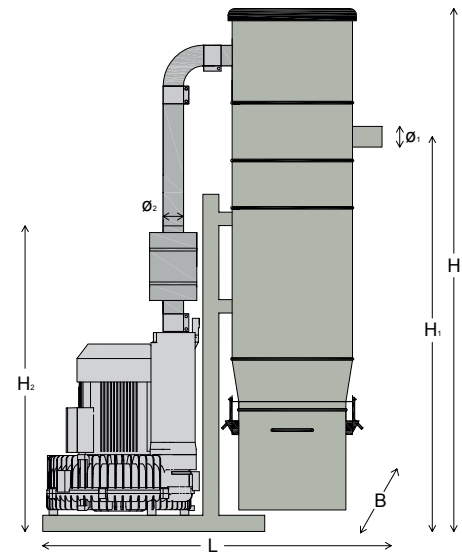


**Dimensions**

Model	CE-18
L (mm)	1280
B (mm)	800
H (mm)	2280
H1 (mm)	1930
H2 (mm)	1200
Ø1 (mm)	127
Ø2 (mm)	125

**Technical data**

Model	CE-18
Motor capacity (kW)	18,5
Max flow open inlet appr. (m³/h)	1350
Max negative pressure (kPa)	-30
Filter area (m²)	25
Filter material	Pressed polyester
Filter class BIA	USGC (99,9% filter efficiency)
Sound level silencer dB(A)	76
Height (mm)	2280
Width (mm)	800
Length (mm)	1280
Req. El: 3x 380V50Hz w. 0 (A)	50
Ø in- and outlet (mm)	127/125
Air pressure	6 l/s 5 bar
Connect. Ø air pressure (mm)	6
Weight (kg)	365
Container (L)	40



As an option, the unit can be equipped with:

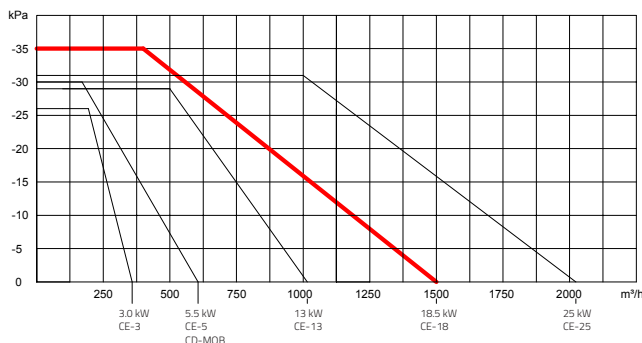
- Frequency control
- Sound enclosure
- HEPA filters on the exhaust side

**Application:**

- Industrial vacuuming
- Welding tools/Hand tools
- Grinding dust from construction/ industrial environment

**Fan capacity**

■ CE-18



	Connect. Ø (mm)	Airflow (m³/h)
Welding torch	32-38	100
Hand grinding	25	70
Hand grinding	32	120
Hand grinding	38	165
Floor cleaning	32	120
Floor cleaning	38	165
Floor cleaning	50	280

# DUST COLLECTOR SDCH-L

**Dust collector SDCH-L is a compressed air cleaned hose filter for continuous filtration of fine dust.**

## Description

Dust collector SDCH-L is a compressed air cleaned hose filter for continuous filtration of fine dust. The collector is supposed to be used for under pressure, i.e. the fan is installed after the collector. The circular gas inlet and outlet, can be swiveled to an optional position as the filter consists of several reciprocally adjustable parts.

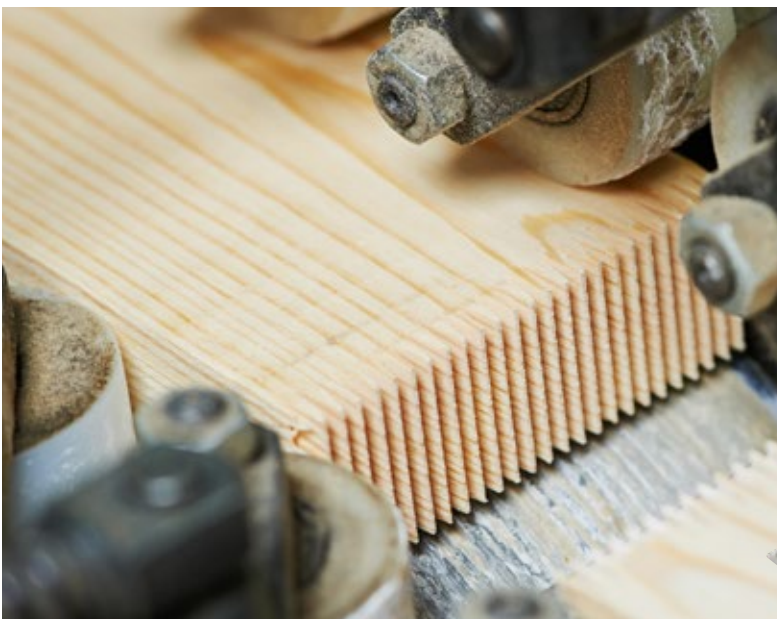
The separator is designed as an under pressure filter and can be located indoors or outdoors, if it is placed with protection from the weather.

## Filter cleaning

The dust laden air is filtered through a filter hose, where the dust sticks to the outside. The filter hoses are cleaned with short bursts of compressed air. Cleaning of the hoses is done through a separate steering central or by cleaning automatics e.g. MT (extra equipment). For the most effective cleaning, the hoses should also be cleaned when the fan is turned off.

## Dust container

The dust is collected in a dust container, equipped with a plastic bag. The amount of dust should regularly be controlled and the plastic bag replaced if needed. The container can also, as an optional device, be equipped with a level sensor with an alarm protection against overfilling.

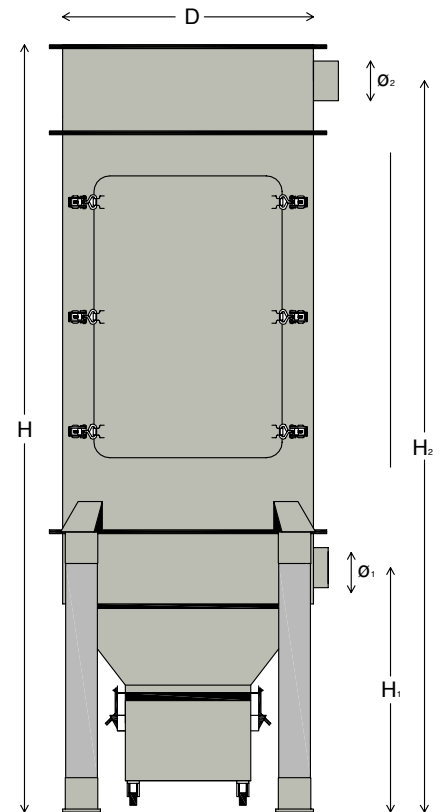


**Dimensions**

	SDCH-3-L	SDCH-5-L	SDCH-7-L	SDCH-9-L	SDCH-12-L
D (mm)	630	800	800	1100	1100
H (mm)	2500	2500	3000	2500	3000
H1 (mm)	937	937	937	937	937
H2 (mm)	2317	2317	2817	2317	2817
Ø1 inl. (mm)	127	200	200	250	250
Ø2 utl. (mm)	127	200	200	250	250
A (mm)	665	715	715	730	730
B (mm)	470	715	715	730	730
C (mm)	120	120	120	120	120

**Technical data**

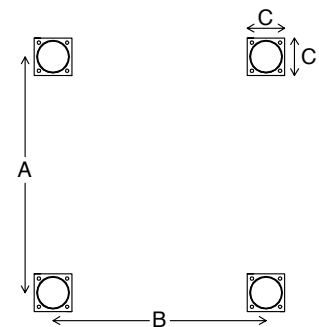
Model	SDCH-3-L	SDCH-5-L	SDCH-7-L	SDCH-9-L	SDCH-12-L
Filter (m <sup>2</sup> )	3	5	7	9	12
No. of hoses	6	10	10	18	18
No. of valves	2	2	2	4	4
Container (L)	90	90	90	90	90
Weight (kg)	110	160	180	185	205



**Compressed air requirement:**

max 2 l/s, 4,5 bar, free of oil and water. Maximum gas temperature: +60° C.

The following service spaces need to be considered: minimum 800 mm in front of the filter and 500 mm above the filter.



# DUST COLLECTOR SDCC-L

**Dust collector type SDCC-L is a compressed air cleaned cartridge filter for continuous filtration of fine dust.**

## Description

Dust collector type SDCC-L is a compressed air cleaned cartridge filter for continuous filtration of fine dust. The collector is not suitable for filtration of voluminous dust such as from wood, paper and textile. The circular gas inlet and outlet, can be swiveled to an optional position as the filter consists of several reciprocally adjustable parts. The separator is designed as an under pressure filter and can be located indoors or outdoors, if it is placed with protection from the weather.

## Filter cleaning

The dust laden air is filtered through filter cartridges, where the dust sticks to the outside. The filter cartridges are cleaned with short bursts of compressed air. Cleaning of the cartridges is done through a separate steering central or by cleaning automatics e.g. MT (extra equipment). For the most effective cleaning, the cartridges should also be cleaned when the fan is turned off.

## Dust container

The dust is collected in a dust container, equipped with a plastic bag. The amount of dust should regularly be controlled and the plastic bag replaced if needed. The container can also, as an optional device, be equipped with a level sensor with an alarm protection against overfilling.

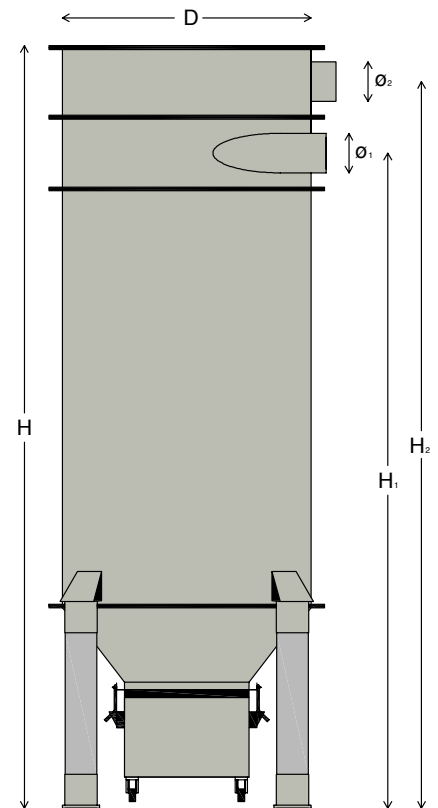


**Dimensions**

Model	SDCC-7,5-L	SDCC-11-L	SDCC-25-L	SDCC-40-L
D (mm)	450	630	800	1100
H (mm)	1700	2400	2400	2700
H1 (mm)	1225	1980	1980	2150
H2 (mm)	1470	2260	2260	2550
Ø1 inl. (mm)	102	200	200	250
Ø2 utl. (mm)	102	200	200	250
A (mm)	485	665	715	730
B (mm)	485	470	715	730
C (mm)	120	120	120	120

**Technical data**

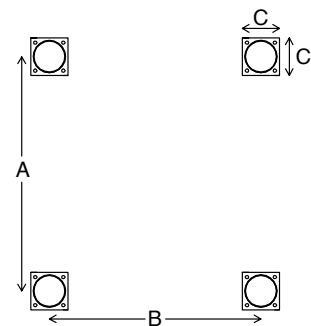
Model	SDCC-7,5-L	SDCC-11-L	SDCC-25-L	SDCC-40-L
Filter (m <sup>2</sup> )	7,5	10,5	25	40
No. of cartridges	1	1	1	4
No. of valves	1	1	1	4
Container (L)	90	90	90	90
Weight (kg)	65	110	180	220



**Compressed air requirement:**

max 2 l/s, 4,5 bar, free of oil and water. Maximum gas temperature: +60° C.

The following service spaces need to be considered: minimum 800 mm in front of the filter and 500 mm above the filter.



# SIDE CHANNEL BLOWER HB

HB is a directly driven side channel fan used to create high pressure vacuum.

## Description

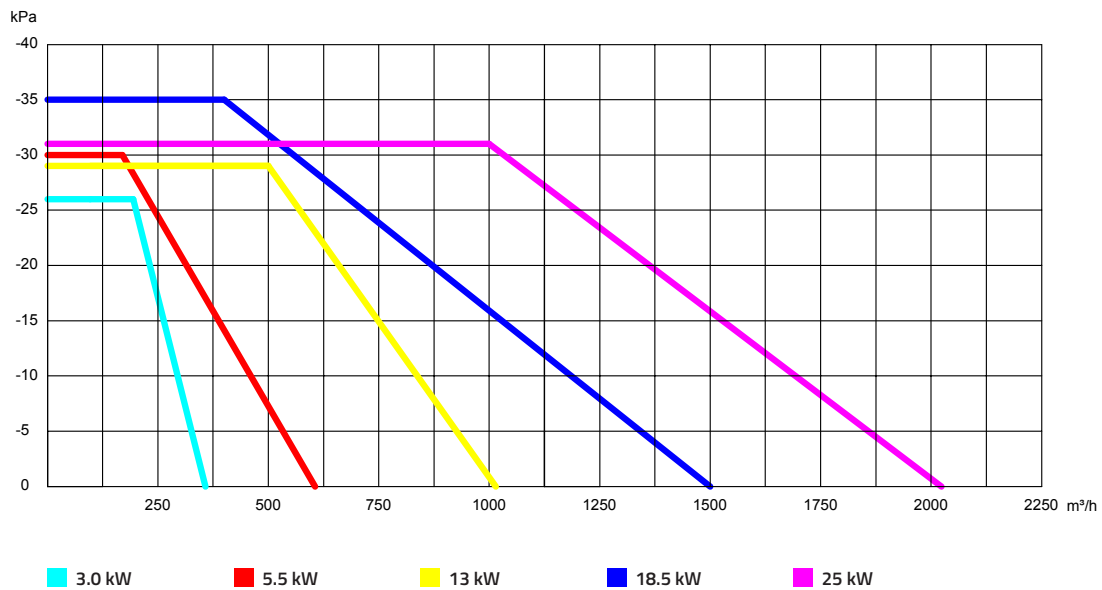
HB is a directly driven side channel fan used to create high pressure or vacuum (<35kPa). Excellent as a suction unit placed after a dust collector for high vacuum so as stationary vacuum cleaning systems and exhaust from the nozzles to the welding and grinding operations. Fan housing, impeller and motor housing are made of cast aluminum. Side channel blowers are used solely for dust-free air and non-explosive or non-aggressive gases. Inlet and outlet side is equipped with silencers. 400/690V 50/60Hz



## Technical data

Model	Motor effect kW
HB-400	4-4.6
HB-550	5.5-6.3
HB-1250	12.5-14.5
HB-1850	18.5-21.3
HB-2500	25.0-29.0

## Fan capacity







# SUCTION UNIT SHPS-L

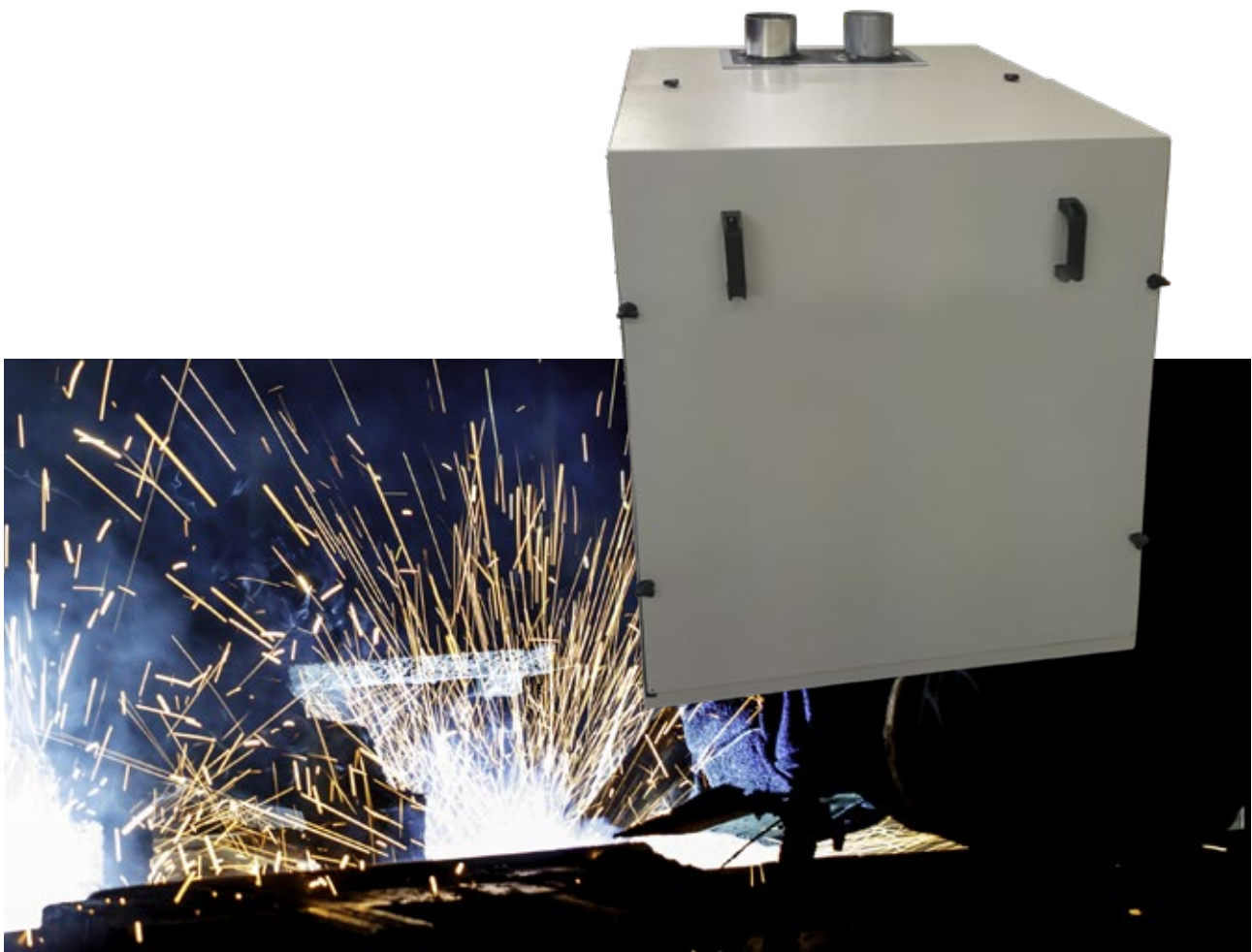
**SHPS-L is a quiet and operationally reliable source for point extraction from stationary and mobile machinery and the central vacuum cleaning of medium-heavy dust.**

## Description

SHPS-L is a quiet and operationally reliable source for point extraction from stationary and mobile machinery and the central vacuum cleaning of medium-heavy dust. SHPS-L has an Air flow of 240-1.350 m<sup>3</sup>/h and a vacuum of approximately 20.000-28.000 Pa, depending of model.

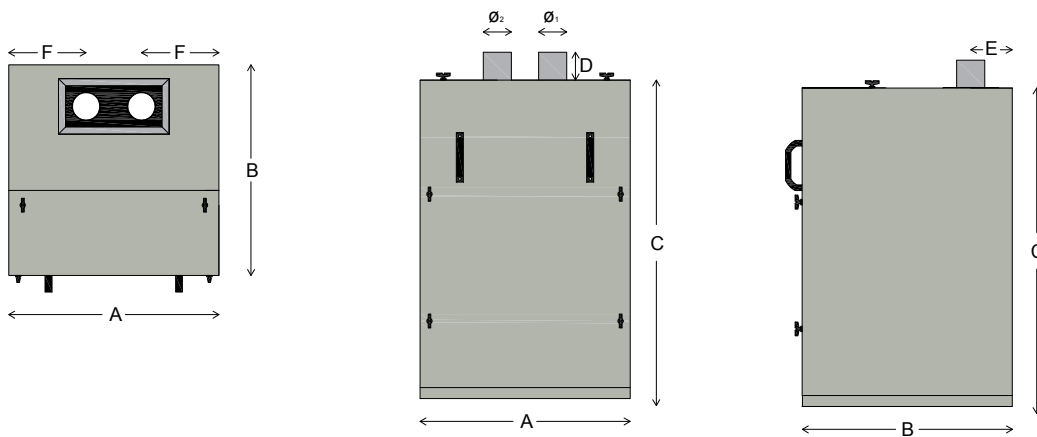
A direct driven side channel fan is built into a soundproof cabinet of powder coated steel.

The cabinet is equipped with a large service hatch. The fan is mounted on a stand with vibration absorber. A dust collector must be installed before suction unit SHPS-L. Suitable dust collectors are SDCH-L or SDCC-L. The suction unit may not be used for extraction of explosive gases or liquids. It is designed for continuous operation and can be placed indoors or outdoors, if it is placed with protection from the weather.



**Dimensions**

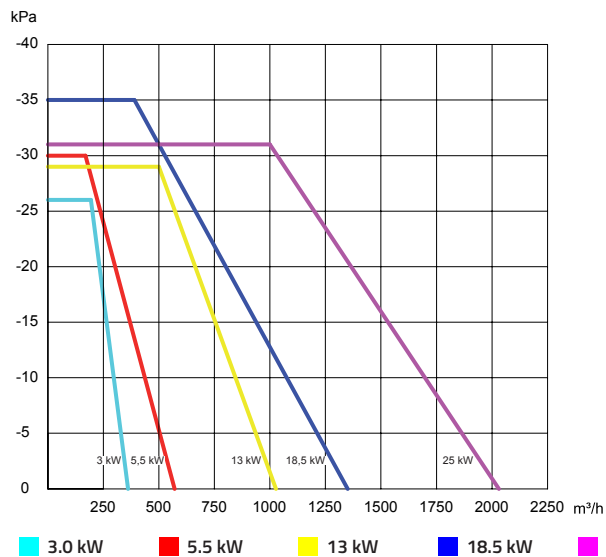
Model	SHPS-30-L	SHPS-55-L	SHPS-130-L	SHPS-180-L	SHPS-250-L
A (mm)	760	760	760	760	1200
B (mm)	760	760	760	760	1200
C (mm)	1150	1150	1150	1150	1600
D (mm)	100	100	100	100	100
E (mm)	150	150	150	150	150
F (mm)	280	280	280	280	280
Ø1 inl. (mm)	76	76	102	102	127
Ø2 outl. (mm)	76	76	102	102	127



**Technical data**

Model	SHPS-30-L	SHPS-55-L	SHPS-130-L	SHPS-180-L	SHPS-250-L
Motor effect (kW)	3	5.5	12.5	18.5	25
Air flow (m³/h)	240	300	650	800	1350
Weight (kg)	150	170	220	240	390

**Fan capacity**



**Steel duct**

Galvanized



Ext. dia. mm	Length m	Material thickness mm	Weight kg	Item no.
050	3 m	1.25	4.5	590105003
063	3 m	1.25	5.8	590106303
076	3 m	1.50	8.3	590105003
102	3 m	1.50	11.1	590110203
108	3 m	1.50	11.8	590110803
127	3 m	1.50	13.9	590112703
152	3 m	1.50	16.8	590115203
203	3 m	1.50	23.0	590120303
050	6 m	1.25	9.0	590105006
063	6 m	1.25	11.5	590106306
076	6 m	1.50	16.6	590107606
102	6 m	1.50	22.2	590110106
108	6 m	1.50	23.6	590110806
127	6 m	1.50	27.8	590112706
152	6 m	1.50	33.6	590115206
203	6 m	1.50	46.0	590120306

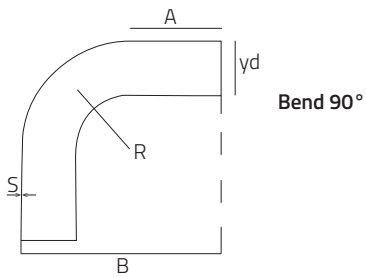
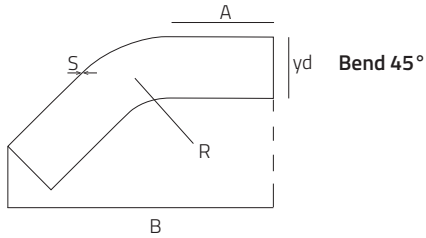


**Bend**

Zinc-plated



**Technical information**



Ext. dia. mm	Bend	Material thickness mm	R x D mm	Item no.
050	45°	1.50	2.5	590205045
063	45°	1.50	2.0	590206345
076	45°	1.50	2.2	590207645
102	45°	2.00	1.5	590210245
108	45°	2.00	1.6	590210845
127	45°	2.00	1.3	590212745
152	45°	2.00	1.5	590215245
203	45°	2.00	1.5	590220345

Ext. dia. mm	Bend	Material thickness mm	R x D mm	Item no.
050	90°	1.50	2.5	590205090
063	90°	1.50	2.0	590206390
076	90°	1.50	2.2	590207690
102	90°	2.00	1.5	590210290
108	90°	2.00	1.6	590210890
127	90°	2.00	1.3	590212790
152	90°	2.00	1.5	590215290
203	90°	2.00	1.5	590220390

45° 45°	Yd mm	R mm	S mm	A mm	B mm	Weight kg
050-45	50	125	1.5	125	320	0.7
063-45	63	125	1.5	115	307	0.7
076-45	76	170	1.5	110	335	0.9
102-45	102	150	2.0	240	560	3.0
108-45	108	170	2.0	235	550	3.2
127-45	127	170	2.0	260	610	4.0
152-45	152	225	2.0	330	775	6.1
203-45	203	305	2.0	100	458	4.8

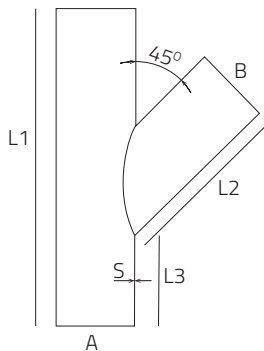
90° 90°	Yd mm	R mm	S mm	A mm	B mm	Weight kg
050-90	50	125	1.5	125	275	0.8
063-90	63	125	1.5	150	282	1.0
076-90	76	170	1.5	100	295	1.2
102-90	102	150	2.0	220	410	3.3
108-90	108	170	2.0	210	440	3.7
127-90	127	170	2.0	225	450	4.3
152-90	152	225	2.0	300	605	6.3
203-90	203	305	2.0	100	506	5.4

**Branch piece 45°**

Zinc-plated



**Technical information**



Diameter	A,C mm	B mm	L1 mm	L2 mm	L3 mm	S mm	Weight kg	Item no.
050-050	050	050	300	155	110	1.5	0.8	590305005
063-050	063	050	300	155	110	1.5	0.9	590306305
063-063	063	063	300	155	105	1.5	0.9	590306306
076-050	076	050	300	155	110	1.5	1.1	590307605
076-063	076	063	300	155	110	1.5	1.1	590307606
076-076	076	076	300	155	110	1.5	1.15	590307607
102-050	102	050	400	220	161	2.0	2.35	590310205
102-063	102	063	400	220	116	2.0	2.40	590310206
102-076	102	076	400	220	116	2.0	2.40	590310207
102-102	102	102	400	220	114	2.0	2.70	590310210
108-050	108	050	400	220	160	2.0	2.50	590310805
108-063	108	063	400	220	160	2.0	2.50	590310806
108-076	108	076	400	220	115	2.0	2.50	590310807
108-102	108	102	400	226	112	2.0	2.90	590310810
108-108	108	108	400	230	115	2.0	2.90	590310811
127-050	127	50	400	212	126	2.0	2.70	590312705
127-063	127	063	400	220	128	2.0	2.80	590312706
127-076	127	076	400	220	128	2.0	2.90	590312707
127-102	127	102	400	230	127	2.0	3.30	590312710
127-108	127	108	400	230	122	2.0	3.25	590312718
127-127	127	127	400	235	124	2.0	3.40	590312727
152-050	152	50	500	265	195	2.0	4.0	590315205
152-063	152	063	500	265	196	2.0	4.10	590315206
152-076	152	076	500	270	187	2.0	4.20	590315207
152-102	152	102	500	270	192	2.0	4.60	590315210
152-108	152	108	500	270	187	2.0	4.80	590315211
152-127	152	127	500	285	174	2.0	6.20	590315212
152-152	152	152	500	295	156	2.0	4.95	590315215
203-050	203	50	600	363	200	2.0	6.6	590320305
203-063	203	63	600	363	196	2.0	6.8	590320306
203-076	203	076	600	359	200	2.0	6.80	590320307
203-102	203	102	600	370	200	2.0	7.40	590320310
203-108	203	108	600	365	200	2.0	7.50	590320311
203-127	203	127	600	365	200	2.0	7.65	590320312
203-152	203	152	600	365	200	2.0	7.70	590320315
203-203	203	203	600	365	200	2.0	8.20	590320320

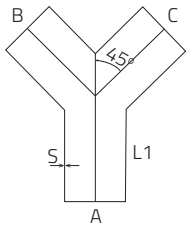
**Trouser Piece 45°**

Zinc-plated



Diameter mm	A mm	B,C mm	L1 mm	L2 mm	S mm	Weight kg	Item no.
050-050	050	050	150	100	2.0	0.7	590405050
063-063	063	063	150	100	2.0	0.9	590406306
076-076	076	076	150	100	2.0	1.35	590407607
102-102	102	102	150	100	2.0	2.10	590410210
108-108	108	108	200	150	2.0	3.0	590410810
127-127	127	127	200	150	2.0	3.65	590412712
152-152	152	152	200	150	2.0	4.4	590415215
203-203	203	203	200	150	2.0	6.1	590420315

**Technical information**



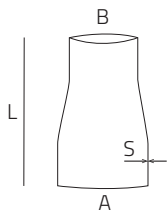
**Taper**

Zinc-plated



Diameter A mm	Diameter B mm	L mm	S mm	Weight kg	Item no.
050	0,38	125	1.5	0.30	590505003
063	050	125	1.5	0.25	590506305
076	050	130	1.5	0.50	590507605
076	063	125	1.5	0.40	590507606
102	063	150	2.0	0.70	590510206
102	076	140	2.0	0.69	590510207
108	063	150	2.0	0.70	590510806
108	076	135	2.0	0.72	590510807
108	102	120	2.0	0.72	590510810
127	076	170	2.0	1.05	590512707
127	102	145	2.0	1.05	590512710
127	108	135	2.0	0.87	590512718
152	102	150	2.0	0.80	590515210
152	108	160	2.0	1.35	590515211
152	127	150	2.0	1.10	590515212
203	127	150	2.0	1.35	590520312
203	152	180	2.0	1.30	590520315

**Technical information**



**End cover**

Zinc-plated



Diameter mm	Item no.
050	590520050
063	590520063
076	590520076
102	590520102

Diameter mm	Item no.
108	590520108
127	590520127
152	590520152
203	590520203

**Duct coupling**

galvanized with conductive EPDM rubber



Diameter mm	Item no.
050	590540050
063	590540063
076	590540076
102	590540102

Diameter mm	Item no.
108	590540108
127	590540127
152	590540152
203	590540203

**Strong Pipe Coupling, galvanized**

With FDA-approved NBR rubber, stainless steel strips and three electric galvanized bolts. Length: 150 mm



Diameter mm	Item no.
076	5905400761
102	5905401021
108	5905401081

Diameter mm	Item no.
127	5905401271
152	5905401521
203	5905402031

**Connector for rubber hose**

Hose clamp for rubber hose RUBE.



Diameter mm	Item no.
050	590905006
063	590905007
076	590905007
102	590905010

Diameter mm	Item no.
108	590905010
127	590905013
152	590905013

**JKF Hose clip**

Hose clip for PE and PUR hose



Diameter mm	Item no.
ø 38 - 50	8404009
ø 50 - 65	8404011
ø 58 - 75	8404012
ø 68 - 85	8404013



**Flap valve**

with conical entry for inserting into the duct



A: Indicates duct diameter  
B: ndicates diameter hose coupling

Ext. dia. A,B	Item no.
050-050	590805005
063-050	590806305
063-063	590806306

Ext. dia. A,B	Item no.
076-063	590807606
076-076	590807607

**Flap valve**

w/connection for duct coupling



Diameter mm	Item no.
063-050	590816305

Diameter mm	Item no.
063-063	590816306

**Flap valve with switch**

with conical entry for inserting into the duct and mechanical microswitch



A: Indicates duct diameter  
B: Indicates diameter hose coupling

Ext. dia. A,B	Item no.
050-050	590830500
063-050	590830630
063-063	590830632

Ext. dia. A,B	Item no.
076-063	590830760
076-076	590830762

**Flap valve**

w/taper for JKF pull rings



Diameter mm	Item no.
080-063	590808006

Diameter mm	Item no.
080-076	590808007

**Connector for hose coupling**



Diameter mm	Item no.
050-050	590918150
063-063	590918163

Diameter mm	Item no.
076-076	590918176

**Hose coupling**

for mounting on hoses, combine with flap valve



A: Indicates the connection to the flap valve  
B: Indicates the hose diameter

ø udv. A,B Ext. dia. A,B	Item no.
050-038	590905003
050-050	590905005
063-050	590906305
063-063	590906306

ø udv. A,B Ext. dia. A,B	Item no.
076-050	590907605
076-063	590907606
076-076	590907607

**Micro switch**

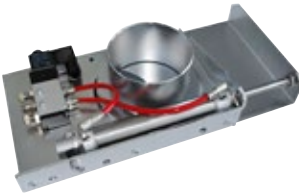
for Flap valve



Diameter mm	Item no.
SPLV-01	590830001

**Pneumatic sliding damper**

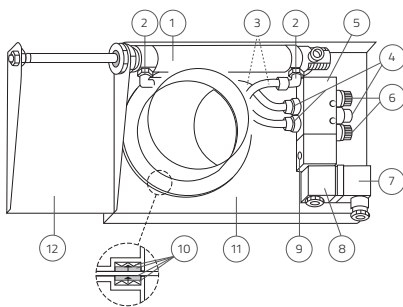
with smooth edge



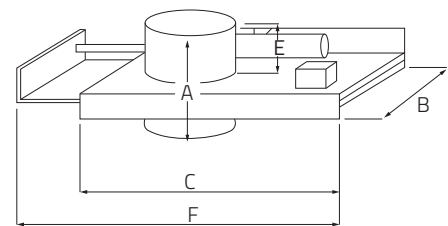
Diameter mm	Item no.
050	1461001
063	1461005
076	1461007
102	1461036

Diameter mm	Item no.
108	1461045
127	1461055
152	1461065
203	1461075

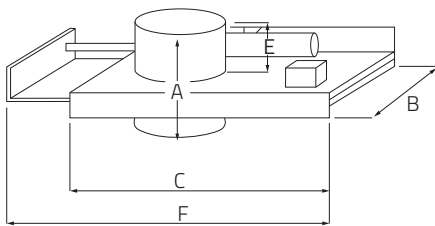
**Technical information**



- 1 Pneumatic cylinder
- 2 Connection 1/8" - 6 mm hose
- 3 Hose 6 mm
- 4 Connection 1/8" - 6 mm hose
- 5 Solenoid valve
- 6 Silencer/adjustment
- 7 Cable terminal
- 8 Coil 230 V AC or 24 V AC/DC
- 9 Screw for manual operation of solenoid
- 10 Sealings
- 11 Damper housing
- 12 Damper blade



**Manual tight sliding damper**  
with smooth edge



Diameter mm	A mm	B mm	C mm	E mm	F mm	Weight kg	Item no.
050	145	139.5	192.5	60	293	1.7	1460001
063	145	139.5	192.5	60	293	1.7	1460005
076	145	156.5	222.5	60	338	2.1	1460007
102	125	176.5	263	60	398	2.6	1460040
108	145	201.5	313.5	60	475	3.3	1460045
127	145	201.5	313.5	60	475	3.3	1460055
152	125	226.5	363	60	548	4.3	1460140
203	125	276.5	463	60	699	5.8	1460130

**Clamp**



Diameter mm	Item no.
050	590930050
063	590930063
076	590930076
102	590930102

Diameter mm	Item no.
108	590930108
127	590930127
152	590930152

**Duct support**



Diameter mm	Item no.
050	590920050
063	590920063
076	590920076
102	590920102

Diameter mm	Item no.
108	590920108
127	590920127
152	590920152

**Clamp with rubber inlay**



Diameter mm	Item no.
050	590920051
064	590920064
076-80	590920080
100-108	590920100

Diameter mm	Item no.
120-127	590920120
150-152	590920150
200	590920200

**Hose Reel**

38 - 50



Diameter mm	Length	Weight kg	Item no.
038	8,5 m	12	On request

Diameter mm	Length	Weight kg	Item no.
050	7,3 m	14	On request

Equipped with anti-static vacuum hose. Spring Return with latch mechanism, that allows the hose to stay in the desired position. Micro switch that switches off the vacuum source when the hose is rolled up. Supplied with swivel bracket. Can be mounted on wall or ceiling. Connection diameter 50 mm.

**Rubber Hose**

754



Int. dia. mm	Ext. dia. mm	Weight kg/m	Bending radius	Working pres. bar (20° C)	Vakuum %	Item no.
051	065	2.10	230	5	90	On request
063	078	3.10	300	5	90	On request
076	088	2.05	250	3	90	On request
102	116	3.67	400	3	90	On request
110	124	3.93	430	3	90	On request
127	141	5.11	500	3	90	On request
152	168	6.05	690	3	90	On request

**Roof support**



Length	Item no.
2 meter	590922000

**Wall support**



Length	Item no.
2 meter	590932000

**PE Hose**

Antistatic PE hose.



Diameter mm	Length	Item no.
38	7,5 m	590919038
50	7,5 m	590919050
63	7,5 m	590919051
76	7,5 m	590919052

**PUR Hose**

Polyurethane hose with hard PVC spiral and copper braid. Delivered in lengths.



Diameter mm	Length	Item no.
76	On request	590919076

**Cleaning systems - 38 mm**



No	Article	Item no.
1	Hose antistatic, diameter 38 mm	590919038
1	Hose EVA 38 mm	On request
2	Hose socket, diameter 38 mm	590918038
3	Hose connector 50-38	590905003
4	Connection from cleaning pipe to hose connector	590914038
5	Bend diam. 38 mm	590913038
6	Floor pipe diam. 38 mm two-parted	590910038
7	Floor pipe 38 mm, one piece	590912038
8	Floor pipe. 38 mm, aluminium	On request
9	Floor nozzle 38 mm, 450 mm	590915038
10	Floor nozzle 38 mm, plastic	On request
11	Brush 38 mm	On request
12	Brush 38 mm	On request
13	Nozzle 38 mm	590916505
14	Pipe nozzle 38 mm	On request
15	Conical nozzle 38 mm	On request
16	Nozzle metal, 38 mm	On request
17	Nozzle metal, 38 mm	On request
18	Hose reel , 38 mm hose. L = 10 m	On request
19	Joint socket 38-38 mm	On request

**Cleaning systems - 50 mm**



No	Article	Item no.
1	Hose antistatic, diameter 50 mm	590919050
1	Hose EVA diam. 50 mm	On request
2	Hose socket diam 50 mm, antistatic	590918050
3	Hose connector 50-50	590905005
4	Connection from floor pipe to hose connector	590914050
5	Bend diam. 50 mm	590913050
6	Floor pipe diam. 50 mm, two parted	590910050
7	Floor pipe diam. 50mm, one piece	590912050
8	Floor nozzle 50 mm, width 450 mm	590915050
9	Brush 50 mm	On request
10	Pipe nozzle 50 mm	On request
11	Nozzle, metal 50 mm	On request
12	Conical nozzle 50 mm	On request
13	Flap valve 063 - cone 080	On request
14	Floor pipe aluminum 50 mm	On request
15	Aluminum pipe with floor nozzle 50 mm	On request
16	Joint socket 50-50 mm	On request
17	Joint socket 50-50 mm	On request
18	Plastic pipe Ø 50 mm	On request

**Cleaning systems  
63 mm**



No	Article	Item no.
1	Cleaning pipe Ø 63 aluminium	On request
2	Floor nozzle 63 mm, width 500 mm	On request
3	Connection from floor pipe to hose connector	On request
4	Floor pipe Ø 63 aluminium	On request
5	Floor nozzle Ø 76 mm	On request
6	Bulk nozzle Ø 76 mm	On request
7	Nozzle with connection 100 mm	On request
8	Flap valve 063-cone 080	On request
9	Nozzle Ø 100 mm	On request
9	Nozzle Ø 120 mm	On request
9	Nozzle Ø 125 mm	On request
9	Nozzle Ø 160 mm	On request
9	Nozzle Ø 180 mm	On request



## THE WAY TO CLEAN AIR



JKF Industri A/S  
Rørsangervej 5, Als  
9560 Hadsund  
Denmark  
Tel: +45 98581211  
info@neujkf.dk  
www.jkf.dk

NEU-JKF Sp. z o.o.,  
Berzyna 81,  
64-200 Wolsztyn  
Poland  
Tel: +48 683470700  
info@neu-jkf.pl  
www.neu-jkf.pl

NEU-JKF Asia Sdn. Bhd.  
Lot 8521, Jalan Persiaran Galla,  
Galla Industrial Park, 70200 Seremban  
N.S.D.K., Malaysia  
Tel: +60 67649861  
info@neujkf.asia  
www.neujkf.asia

