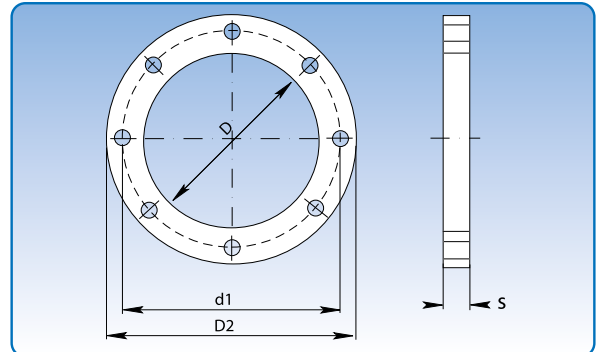
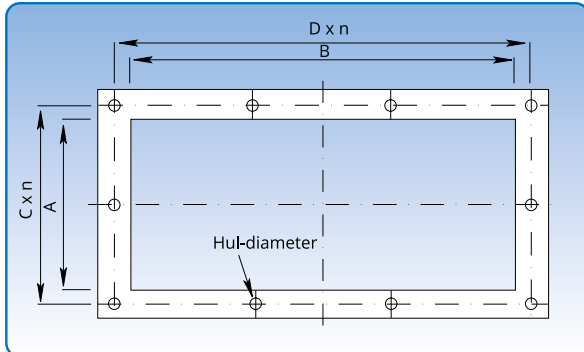


## Flanger



Firkantflange type A og runde flanger.  
Målespecifikationer er angivet i skemaet nedenfor.

Firkantflanger Ventilatorstype	Dimensioner					
	A mm	B mm	C x n mm	D x n mm	Hul diameter mm	Matr. mm
*JK-30MT /MTD	300	299	336	355	9	12
JK-30MTDP, JK-30D/K, T-300	300	305	336	355	10	12
*JK-40MT /MTD	400	398	439	465	12	16
JK-40MTDP, JK-40D/K	400	405	439	465	12	16
*JK-50MT /MTD	500	500	540	565	11	16
JK-50MTDP	500	505	540	565	12	16
JK-55MTD, JK-55K	550	555	590	615	12	16
*JK-60MT	600	600	640	665	11	16
JK-60MTD /MTDP	600	605	640	665	12	16
*JK-70MT	700	700	750	785	11	24
JK-70MTD /MTDP	700	705	750	785	12	24
*JK-80MT	800	800	850	885	11	24
JK-80MTD /MTDP	800	805	850	885	12	24
*JK-90MT	900	900	950	985	11	24
JK-90MTD /MTDP	900	905	950	985	12	24
*JK-100MT	1000	1000	1050	1085	11	24
JK-20D/T-200	200	205	235	255	10	12
JK-22D	225	230	260	280	10	12
JK-25D	250	255	285	305	10	12
JK-35D	350	355	389	415	12	12
JK-45K	450	455	489	515	12	16
JK-75K	750	755	800	835	12	24

Runde flanger Ventilatorstype *Specialflanger	Diameter nominal mm	D mm	d1 mm	D2 mm	s mm	Hul diameter mm	Antal huller
*JK-30MT /MTD	300	299	336	355	2,5	9	12
JK-30MTDP, JK-30D/K, T-300	300	305	336	355	5	10	12
*JK-40MT /MTD	400	398	439	465	2,5	12	16
JK-40MTDP, JK-40D/K	400	405	439	465	6	12	16
*JK-50MT /MTD	500	500	540	565	2	11	16
JK-50MTDP	500	505	540	565	6	12	16
JK-55MTD, JK-55K	550	555	590	615	6	12	16
*JK-60MT	600	600	640	665	3	11	16
JK-60MTD /MTDP	600	605	640	665	6	12	16
*JK-70MT	700	700	750	785	3	11	24
JK-70MTD /MTDP	700	705	750	785	6	12	24
*JK-80MT	800	800	850	885	3	11	24
JK-80MTD /MTDP	800	805	850	885	6	12	24
*JK-90MT	900	900	950	985	3	11	24
JK-90MTD /MTDP	900	905	950	985	6	12	24
*JK-100MT	1000	1000	1050	1085	3	11	24
JK-20D/T-200	200	205	235	255	5	10	12
JK-22D	225	230	260	280	5	10	12
JK-25D	250	255	285	305	5	10	12
JK-35D	350	355	389	415	5	12	12
JK-45K	450	455	489	515	6	12	16
JK-75K	750	755	800	835	6	12	24